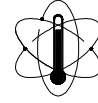


# Accurate Gas Control Systems

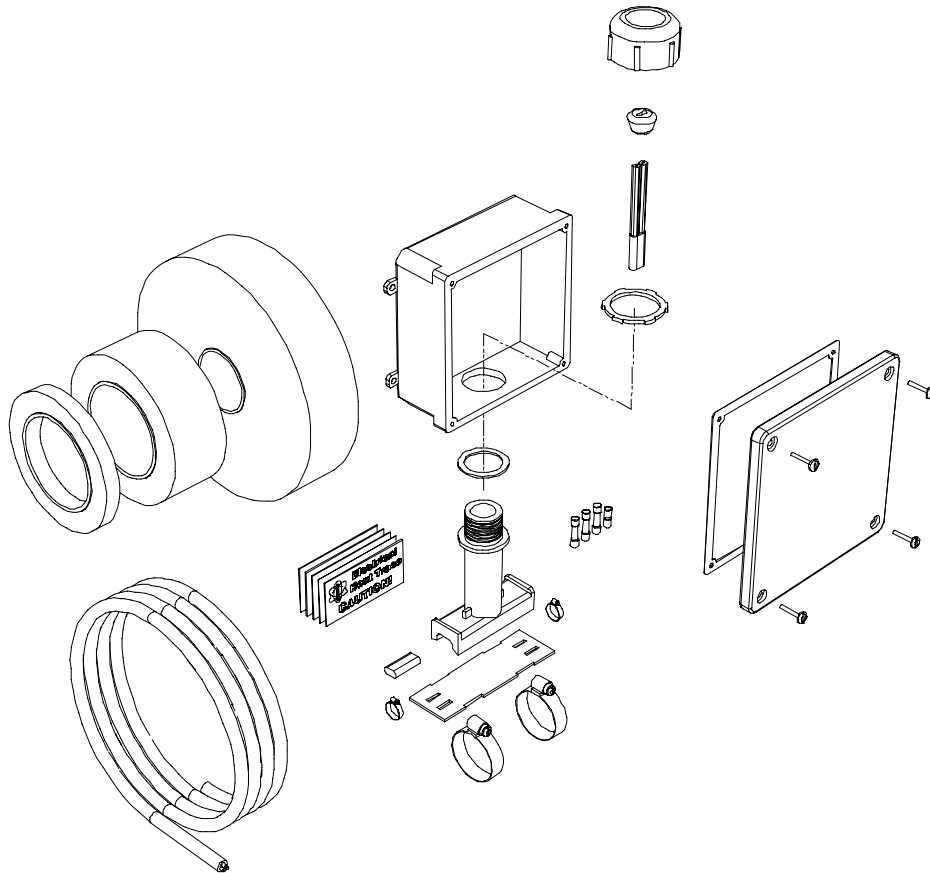


375 Roberts Rd. Suite "D" Oldsmar, Florida 34677  
(813)-818-9777, Fax (813)-818-9773, E-mail ed@accurategas.com

## INSTALLATION INSTRUCTIONS ATIKG CONNECTION KIT

### Kit Contents

|    |                      |   |                        |   |                      |
|----|----------------------|---|------------------------|---|----------------------|
| 1  | Stand-off            | 1 | Head nut               | 3 | Insulated connectors |
| 1  | Pipe adapter         | 1 | Sealing grommet        | 1 | Ground connector     |
| 2  | ½-inch hose clamps   | 1 | Power termination boot | 5 | Caution labels       |
| 2  | 1 ½-inch hose clamps | 1 | Flange nut             | 1 | Insulation roll      |
| 1  | End seal             | 1 | Junction box           | 1 | Aluminum tape roll   |
| 6' | Power cord           | 1 | Gasket                 | 1 | Fiberglass tape roll |



### Warnings:

- Canadian Division 2 Hazardous installations must use internal ground connection of over-brade.
- Article 427 of the National Electric Code requires that all heaters shall have metal coverings and be provided with branch circuit ground-fault protection.